

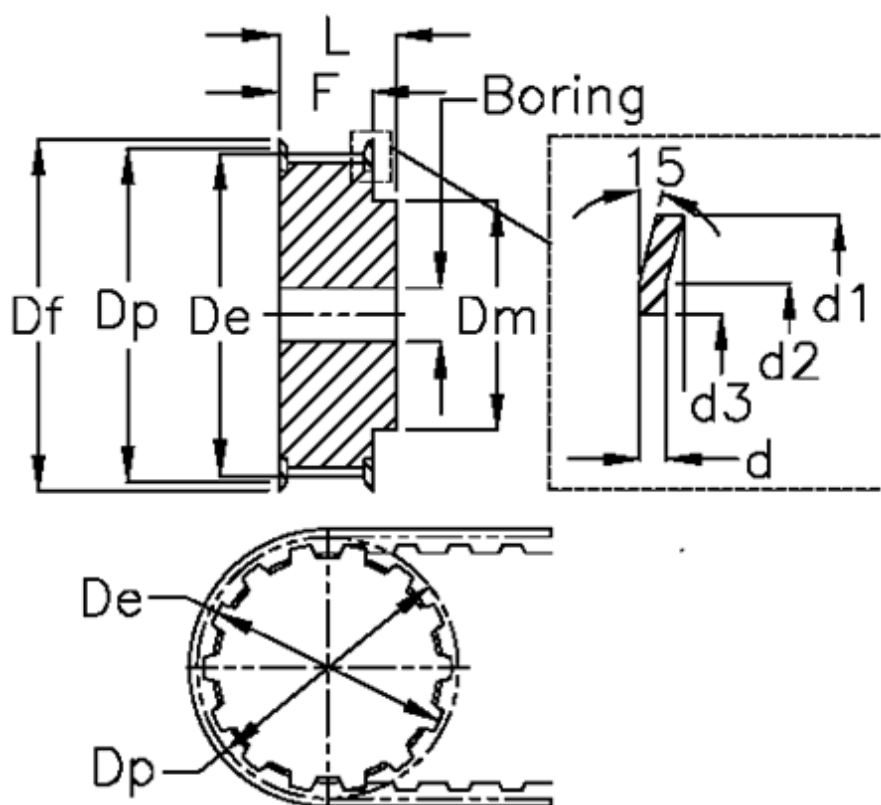
Data Sheet



Article number: 604142022025

Description: Timing belt pulley with hub
HTD 22 5M 25

Measures



Bore = 6	Dp = 35.01
d = 1	F = 30.5
d1 = 38	Flange type = F14
d2 = 34	L = 38
d3 = 26.5	Tooth number = 22
De = 33.87	Type = 5M
Df = 38	Weight = 0.21
Dm = 25.5	Width = 25